

HVC-M06

产品特点:

- U 大容量；自重小；
- U 使用不锈钢焊接密封传感器，防护等级 IP68 可在各种恶劣环境下使用；
- U 支撑螺栓，防止设备倾覆；
- U 安装简单、快速，维修方便，节约停机维护时间；
- U 适用于恶劣环境大吨位槽罐的配料过程称重控制。

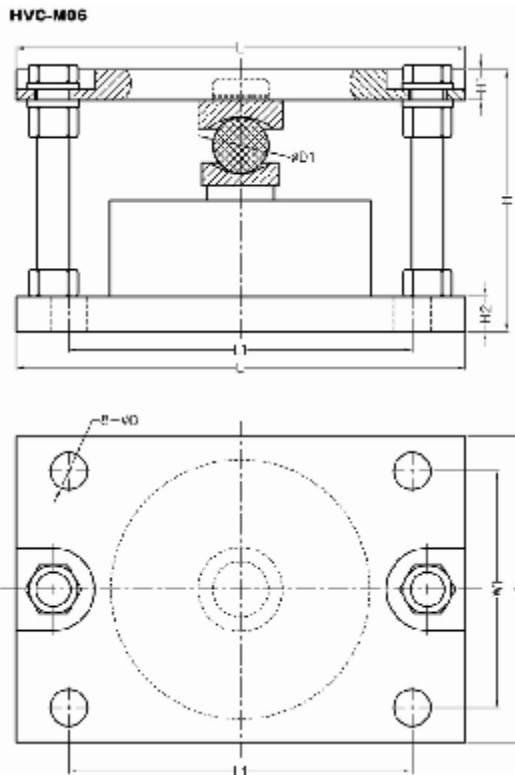
技术参数:

Features:

- U large capacity; small weight;
- U the use of stainless steel welded sealing sensor, protection class IP68 can be used in a variety of harsh environments;
- U support bolts to prevent equipment from overturning;
- U the installation is simple, fast, easy to maintain, saving downtime maintenance time;
- U Weighing control for the batching process of large tonnage tanks in harsh environments.

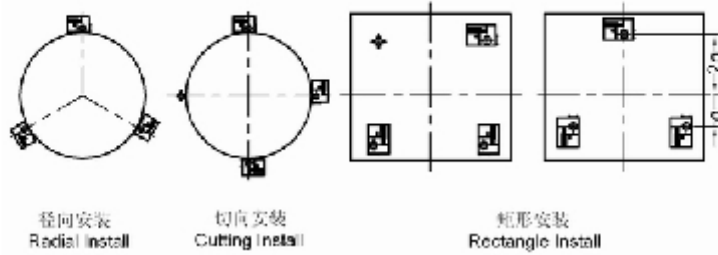
technical parameter:

外型尺寸及安装方式 **Dimensions and installation methods:**



安装方式:

安装方式:



Cap (t)	L	L1	H	H1	H2	D	D1	W	W1
10	184	150	151.9	20	20	13	38.1	124	90
15-30	210	170	160.3	20	25	13	38.1	142	103
40-60	240	200	183.8	20	25	13	50.8	175	136

参数	Specifications	技术指标/Technique
额定容量	Capacity (N)	0.5,1,2,3,5,10,15,20,30,50,60t
输出灵敏度	Rated output	2.0±0.002 mV/V
零点输出	Zero balance	±1 %F.S
非线性	Non-linearity	0.02%F.S.
滞后	Hysteresis	0.02%F.S.
重复性	Repeatability	0.02%F.S.
蠕变 (30min)	Creep(30min)	0.02%F.S.
温度灵敏度漂移	Temp.effect on output	0.02%F.S./10℃
零点温度漂移	Temp.effect on zero	0.02%F.S./10℃
输入电阻	Input impedance	400±10Ω
输出电阻	Output impedance	352±2Ω
绝缘电阻	Insulation	≥5000MΩ/100VDC
激励电压	Recommended excitation	10-12V
最大激励电压	Maximum excitation	15V
温度补偿范围	Compensated temp range	-10~40℃
工作温度范围	Operation temp range	-20~70℃
安全超载	Safe overload	150%F.S.
极限超载	Ultimate overload	300%F.S.
电缆线尺寸	Cable size	Φ6×3000mm
单件重量	Weight approx.	5-15kg
防护等级	IP Class	IP67