

HVC-M04

产品特点:

- U 大容量；自重小；
- U 使用不锈钢焊接密封传感器，防护等级 IP68 可在各种恶劣环境下使用；
- U 支撑螺栓，防止设备倾覆；
- U 安装简单、快速，维修方便，节约停机维护时间；
- U 适用于恶劣环境大吨位槽罐的配料过程称重控制。

技术参数:

Features:

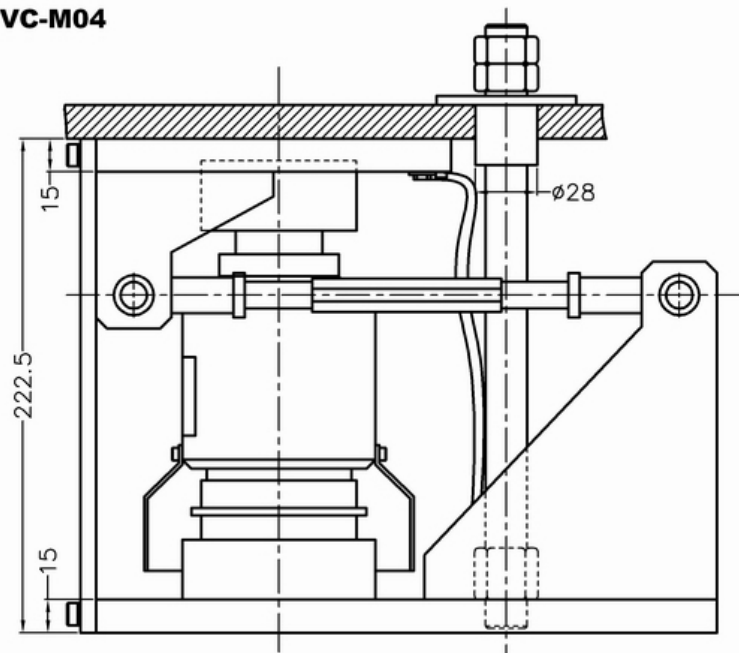
- U large capacity; small weight;
- U the use of stainless steel welded sealing sensor, protection class IP68 can be used in a variety of harsh environments;
- U support bolts to prevent equipment from overturning;
- U the installation is simple, fast, easy to maintain, saving downtime maintenance time;
- U Weighing control for the batching process of large tonnage tanks in harsh environments.

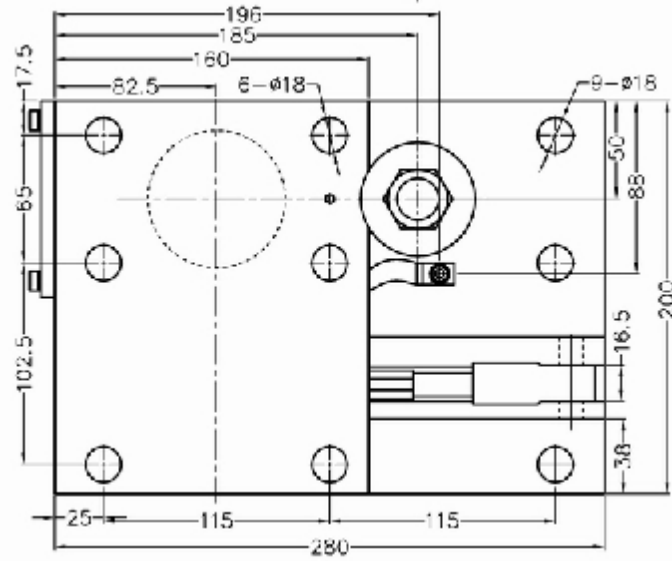
technical parameter:

外型尺寸及安装方式 Dimensions and installation methods:



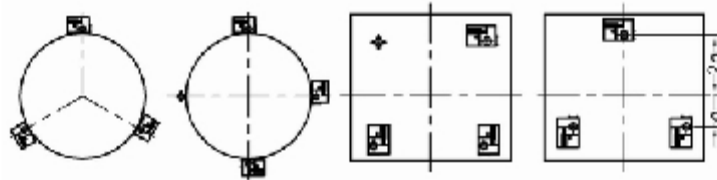
HVC-M04





安装方式:

安装方式:



径向安装
Radial install

切口安装
Cutting install

矩形安装
Rectangle install

参数	Specifications	技术指标/Technique
额定容量	Capacity (N)	10,20,25,30,40,50t
输出灵敏度	Rated output	2.0±0.002 mV/V
零点输出	Zero balance	±1 %F.S
非线性	Non-linearity	0.02%F.S.
滞后	Hysteresis	0.02%F.S.
重复性	Repeatability	0.02%F.S.
蠕变 (30min)	Creep(30min)	0.02%F.S.
温度灵敏度漂移	Temp.effect on output	0.02%F.S./10°C
零点温度漂移	Temp.effect on zero	0.02%F.S./10°C
输入电阻	Input impedance	400±10Ω
输出电阻	Output impedance	250±2Ω
绝缘电阻	Insulation	≥5000MΩ/100VDC
激励电压	Recommended excitation	10-12V
最大激励电压	Maximum excitation	15V
温度补偿范围	Compensated temp range	-10~40°C
工作温度范围	Operation temp range	-20~70°C
安全超载	Safe overload	150%F.S.
极限超载	Ultimate overload	300%F.S.
电缆线尺寸	Cable size	Φ6×3000mm
单件重量	Weight approx.	5-15kg
防护等级	IP Class	IP68