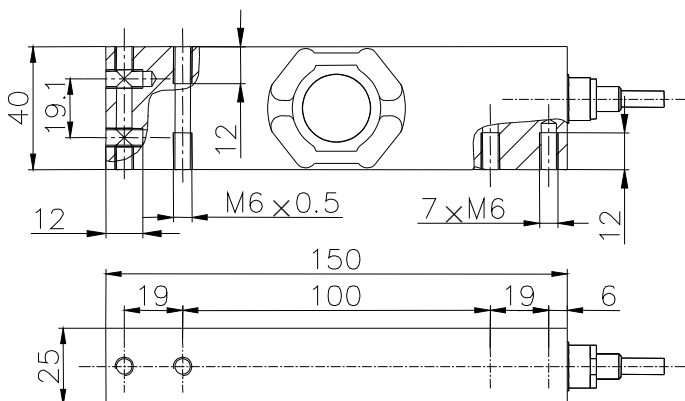


安装尺寸/Mounting Dimension



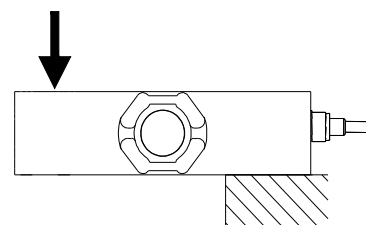
特点与用途/Features & Applications

- I 不锈钢材质，稳定性强
- I 适用于各种环境，IP68
- I 主要用于食品医药行业等各种工业称重系统

- I Made of Stainless Steel ,Strong stability
- I Used in various automated stamping applications,IP68 protection
- I Mainly used for Food and pharmaceutical industry and industrial measuring system

参数	Specifications	技术指标/Technique
额定容量	Capacity	10,20,50,100kg
精度等级	Accuracy class	C3
输出灵敏度	Rated output	2.0±10% mV/V
零点输出	Zero balance	±5% $F.S.$
非线性	Non-linearity	0.0166% $F.S.$
滞后	Hysteresis	0.0166% $F.S.$
重复性	Repeatability	0.018% $F.S.$
蠕变 (30min)	Creep(30min)	0.0166% $F.S.$
温度灵敏度漂移	Temp.effect on output	0.0175% $F.S./10^{\circ}C$
零点温度漂移	Temp.effect on zero	0.0125% $F.S./10^{\circ}C$
输入电阻	Input impedance	390±5 Ω
输出电阻	Output impedance	350±5 Ω
绝缘电阻	Insulation	≥5000 $M\Omega/100VDC$
激励电压	Recommended excitation	5V
最大激励电压	Maximum excitation	12V
温度补偿范围	Compensated temp range	-10~40 $^{\circ}C$
工作温度范围	Operation temp range	-10~50 $^{\circ}C$
安全超载	Safe overload	150% $F.S.$
极限超载	Ultimate overload	300% $F.S.$
电缆线尺寸	Cable size	Φ5.4×3000mm
单件重量	Weight approx.	0.5kg
材料	Material	Stainless Steel (不锈钢)
防护等级	IP Class	IP68
最大秤盘尺寸	Max.platform size	500mm×400mm

受力方式/Load Direction



配线图/Wiring Code

